

# Tristor Snacker Range

Collinson 

CENTRE DISCHARGE

## Low cost silos for smaller loads.

The 55° cone and smooth walls provide excellent mass feed flow for storing free flowing pelleted products or wholegrains with extra height for filling Snacker feeders, and a chute for filling front end loaders, buckets and bags.

### 2 models:

Mini - 4.8 tonnes pellets

Maxi - 7.6 tonnes pellets

#### Every silo includes:

- Gate valve slide unit with swinging multi position discharge chute
- Galvanised or Plasteel™ (plastic coated galvanised steel) construction
- FloView™ Safety Clean Panel
- AutoVent c/w Pressure relief valve
- Independent exhaust pipe
- Filler pipe c/w swept top bend and lock
- Smooth internal walls
- Level indicators
- Fixing kit and full assembly instructions
- Crane lifting points

## SPECIAL PRICES

Mini **£2088** - Maxi **£2541**

Valid until 29th September 2017. Low delivery charges - prices exclude VAT

## Upgrade to a Plasteel™ finish

Choose from six colours

**Juniper Green**  
BS 12B29

**Olive Green**  
BS 12B27

**Moorland Green**  
BS 12B21

**Merlin Grey**  
BS 12B21

**Slate Blue**  
BS 18B29

**Vandyke Brown**  
BS 08B29

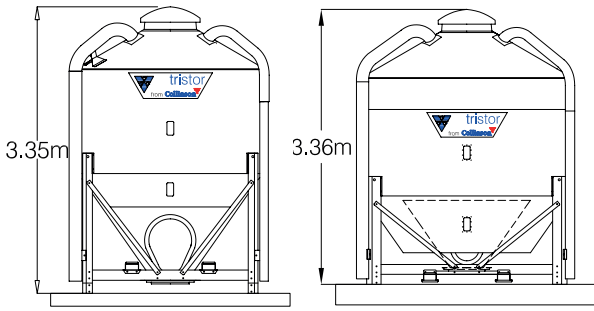
Mini **£115** - Maxi **£143**

\*Offer only applies to selected colours, other colours are available on request.  
Colours may vary on printing



## Delivery Option

TriStor as supplied for transport



### Collinson Delivery

Delivery will be made by appointment so that the customer can ensure a telehandler\* is present for offloading immediately in arrival.

\*Lifting slings or a forklift will be required for offloading, forklines must be at least 1250mm long.

### Customer Collection

A flat bed vehicle, with a maximum bed height of 1.5m above road level, must be provided. A collection date and time will be arranged in advance. We are happy to load the TriStor for a 3rd party haulier arranged by the customer.

## All you need to do



- 1) Provide a suitable concrete base - see specification
- 2) Off load the TriStor with a telehandler
- 3) Following instructions provided;
  - Attach lower leg sections
  - Fit lower cone - Maxi model only
  - Bolt securely to the base before use
  - Remove fork lift channels
- 4) Fill and enjoy the ease of use!

## For your Convenience

Save money and collect your silo, we have a number of hubs in the UK where you can collect your TriStor saving on delivery. The hubs stock a selection of models so if you need a speedy storage solution, this may help.

### A Collinson hub is located at;

- Holsworthy, Devon

### Collinson TriStors are also stocked at;

- LS Smellie and Sons Ltd, Strathaven, Lanarkshire
- Bayley's, Swadlincote, Derbyshire

Contact us on 01995 606 451 if you would like to collect your silo from the hub

### IMPORTANT NOTE

Silo capacity indicated is the true volume of the entire shell of the silo. Please allow extra capacity in the silo you choose to allow for:

- a) Variations in product density due to aeration of product during pneumatic silo filling.
- b) Variable density of the product due to manufacturing specification.
- c) Extra spare capacity of 20% over and above the size of loads you are planning to have delivered.

Areas	Delivery areas: England, Scotland & Wales	Charge
1	Lancashire	£197
2	Greater Manchester, North Devon**, North Cornwall**	£221
3	Cheshire, North Humberside, North, South & West Yorkshire, Staffordshire	£257
4	Cumbria, Cleveland, Derbyshire*, Denbighshire*, Durham, Flintshire, Worcestershire, Nottinghamshire, Shropshire, South Humberside, West Midlands, Warwickshire	£282
5	Avon, Bedfordshire, East Dumfries, Gloucestershire* Leicestershire, Lincolnshire, Northamptonshire, Northumberland, Tyne & Wear,	£294
6	Berkshire, Borders, Buckinghamshire, Cambridgeshire, Herefordshire*, Hertfordshire, Oxfordshire, Wiltshire, West Dumfries* & Galloway*	£319
7	Central Scotland, Glasgow*, Lothian (Edinburgh), Somerset, South Strathclyde, London, Surrey	£343
8	Caernarfonshire, Dorset*, Essex, Fife, Hampshire, Kent, Merioneth, Norfolk, Suffolk, Tayside, East & West Sussex	£367
9	Glamorgan, Monmouthshire, Carmarthenshire, Pembrokeshire, Cardiganshire, Brecknockshire, Radnorshire, Montgomeryshire	£405
10	Grampian	£440
11	Highlands (IV, KW), Islands of Scotland, Isle of Wight	P.O.A.
**	South Devon, South Cornwall	P.O.A.

\*Collection can be undertaken 'ex-works' from Collinson plc or any of our hubs in the UK.

\*\*TriStor deliveries can be undertaken within 100km radius of our hub in Holsworthy at an area 2 rate.

Please contact Collinson for a delivery price to sites exceeding this distance.

## Specification

Model	Dia (m)	Height (m)	Cone plate height (m)	Clearance under Chute (mm)		Capacity m <sup>3</sup>	Max recommended load size	Pellets @650kg/m <sup>3</sup>	Grain @693kg/m <sup>3</sup>	Base (m)
				Retracted	Extended					
Mini	2.2	5.44	2.2	926	550	7.4	3	4.8t	5.1t	2.8x2.8x0.15
Maxi	2.57	6.03	2.2	1230	860	11.74	6	7.6t	8.1t	3.2x3.2x0.20