

Tristor

Bag Barrow Range

Collinson 

CENTRE DISCHARGE

Low cost silos for smaller loads.

The 55° cone and smooth walls provide excellent mass feed flow for storing free flowing pelleted products or wholegrains, to fill bags, barrows or a conveyor system.

2 models:

Mini - 4.8 tonnes pellets

Maxi - 7.6 tonnes pellets

Every silo includes:

- Gate valve gravity slide unit
- Galvanised or Plasteel™ (plastic coated galvanised steel) construction
- FloView™ Safety clean panel
- AutoVent c/w pressure relief valve
- Independent Exhaust Pipe
- Filler pipe c/w swept top bend and lock
- Level Indicators
- Smooth internal walls
- Fixing kit and full assembly instructions
- Crane lifting points

SPECIAL PRICES

Mini **£1972** - Maxi **£2399**

Valid until 29th September 2017. Low delivery charges - prices exclude VAT

Upgrade to a Plasteel™ finish

Choose from six colours

Juniper Green
BS 12B29

Olive Green
BS 12B27

Moorland Green
BS 12B21

Merlin Grey
BS 12B21

Slate Blue
BS 18B29

Vandyke Brown
BS 08B29

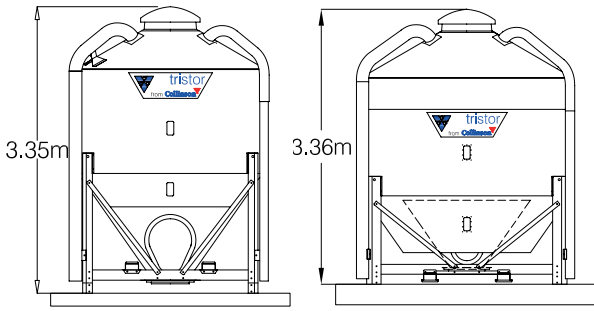
Mini **£115** - Maxi **£143**

*Offer only applies to selected colours, other colours are available on request.
Colours may vary on printing



Delivery Option

TriStor as supplied for transport



Collinson Delivery

Delivery will be made by appointment so that the customer can ensure a telehandler* is present for offloading immediately on arrival.

*Lifting slings or a forklift will be required for offloading, forklines must be at least 1250mm long.

Customer Collection

A flat bed vehicle, with a maximum bed height of 1.5m above road level, must be provided. A collection date and time will be arranged in advance. We are happy to load the Tristor for a 3rd party haulier arranged by the customer.

All you need to do



- 1) Provide a suitable concrete base - see specification
- 2) Off load the TriStor with a telehandler
- 3) Following instructions provided;
 - Attach lower leg sections
 - Fit lower cone - Maxi model only
 - Bolt securely to the base before use
 - Remove fork lift channels
- 4) Fill and enjoy the ease of use!

For your Convenience

Save money and collect your silo, we have a number of hubs in the UK where you can collect your TriStor saving on delivery. The hubs stock a selection of models so if you need a speedy storage solution, this may help.

A Collinson hub is located at;

- Holsworthy, Devon

Collinson TriStors are also stocked at;

- LS Smellie and Sons Ltd, Strathaven, Lanarkshire
- Bayley's, Swadlincote, Derbyshire

Contact us on 01995 606 451 if you would like to collect your silo from the hub

IMPORTANT NOTE

Silo capacity indicated is the true volume of the entire shell of the silo. Please allow extra capacity in the silo you choose to allow for:

- a) Variations in product density due to aeration of product during pneumatic silo filling.
- b) Variable density of the product due to manufacturing specification.
- c) Extra spare capacity of 20% over and above the size of loads you are planning to have delivered.

Areas	Delivery areas: England, Scotland & Wales	Charge
1	Lancashire	£197
2	Greater Manchester, North Devon**, North Cornwall**	£221
3	Cheshire, North Humberside, North, South & West Yorkshire, Staffordshire	£257
4	Cumbria, Cleveland, Derbyshire*, Denbighshire*, Durham, Flintshire, Worcestershire, Nottinghamshire, Shropshire, South Humberside, West Midlands, Warwickshire	£282
5	Avon, Bedfordshire, East Dumfries, Gloucestershire* Leicestershire, Lincolnshire, Northamptonshire, Northumberland, Tyne & Wear,	£294
6	Berkshire, Borders, Buckinghamshire, Cambridgeshire, Herefordshire*, Hertfordshire, Oxfordshire, Wiltshire, West Dumfries* & Galloway*	£319
7	Central Scotland, Glasgow*, Lothian (Edinburgh), Somerset, South Strathclyde, London, Surrey	£343
8	Caernarfonshire, Dorset*, Essex, Fife, Hampshire, Kent, Merioneth, Norfolk, Suffolk, Tayside, East & West Sussex	£367
9	Glamorgan, Monmouthshire, Carmarthenshire, Pembrokeshire, Cardiganshire, Brecknockshire, Radnorshire, Montgomeryshire	£405
10	Grampian	£440
11	Highlands (IV, KW), Islands of Scotland, Isle of Wight	P.O.A.
**	South Devon, South Cornwall	P.O.A.

*Collection can be undertaken 'ex-works' from Collinson plc or any of our hubs in the UK.

**Tristor deliveries can be undertaken within 100km radius of our hub in Holsworthy at an area 2 rate.

Please contact Collinson for a delivery price to sites exceeding this distance.

Specification

Model	Dia (m)	Height (m)	Capacity m ³	Max recommended load size	Pellets @650kg/m ³	Grain @693kg/m ³	Clearance under Chute	Base (m)
Mini	2.2	4.52	7.4	3	4.8	5.1	880mm	2.8x2.8x0.15
Maxi	2.57	5.09	11.74	6	7.6	8.1	880mm	3.2x3.2x0.20